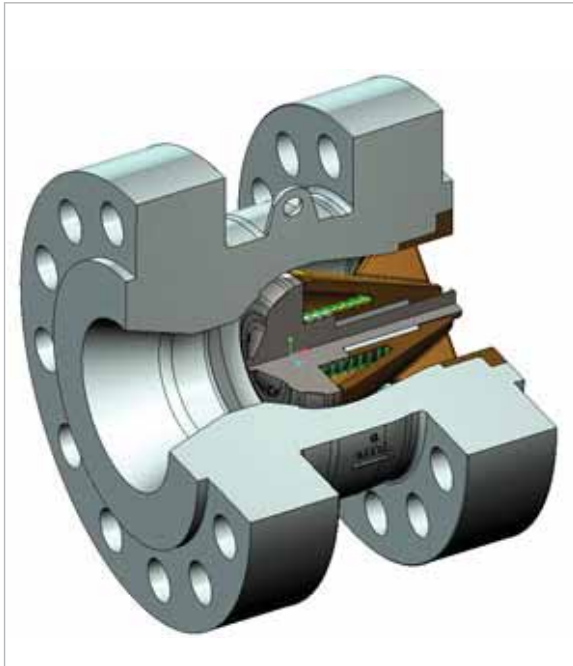


CHECK VALVES

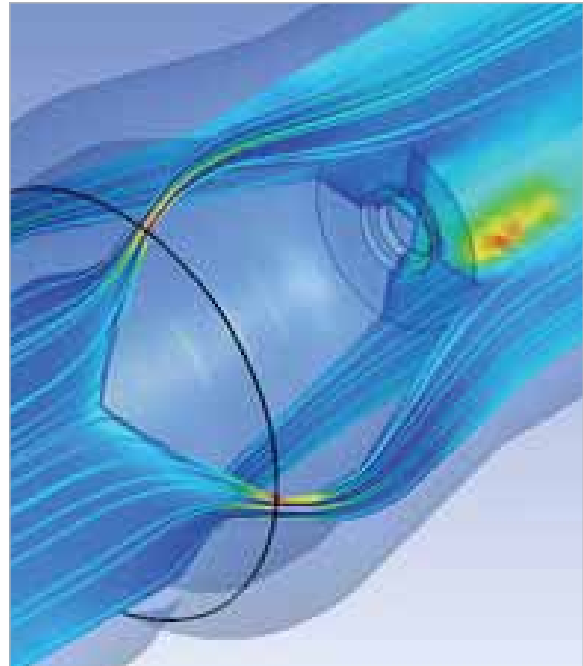
DUAL PLATE CHECK VALVES (DC SERIES)

NOZZLE CHECK VALVES (NC SERIES)

NOZZLE CHECK VALVE (NC SERIES)



3-D Modeling



Computational Fluid Dynamics (CFD)

DKC DESIGN FEATURES

Nozzle Check Valve are designed using Computational Fluid Dynamics (CFD).

Metal to Metal Seated design.

100%-tight shut-off is obtained by means of a metal-to-metal sealing.

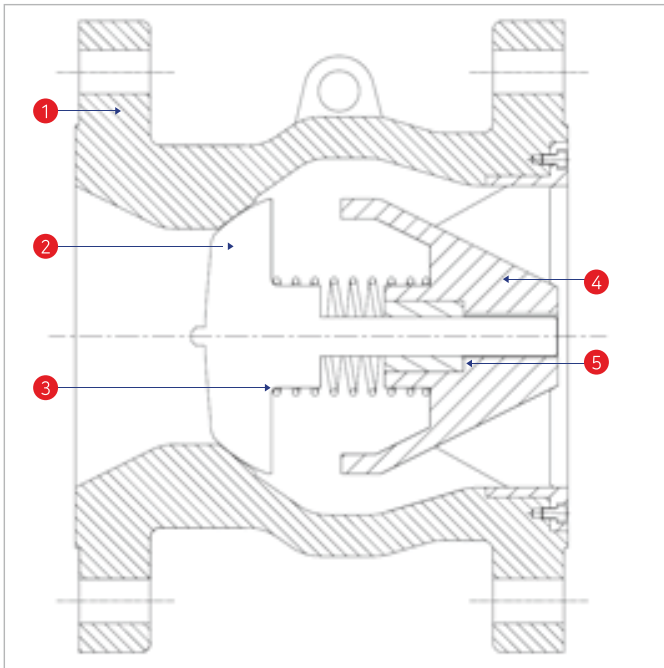
Spring loaded disc design allows mounting in any orientation.

Short stroke length reduces closure time and Minimizes water hammer.

Short light weight Disc & Fast closing Spring design Protect the piping against sudden Surge.

Low Pressure drop to avoid Cavitation and turbulence.

NOZZLE CHECK VALVE (NC SERIES)



NO.	PART	MATERIAL		
		1	BODY	A216 WCB
2	DISC	A351 CF8M	A351 CF8	UNS S31803
3	SPRING	S.S 316	INCONEL X-750	INCONEL 625
4	DIFFUSER	A351 CF8M	A351 CF8	UNS S31803
5	BEARING	A150 C63000	A594 630	A276 316
-	BODY SEAT	INTEGRAL	S.S 316	STL. #6
-	DISC SEAT	INTEGRAL	S.S 316	STL. #6

SIZE	150A (6") ~ 700A (28")	
APPLICABLE FLANGE STD.	ASME B16.5 Class 150 ~ Class 1500 JIS B 2220 10K ~ 64K	
TEMPERATURE RANGE	Low Temperature Carbon Steel	- 45°C to 300°C (-50°F to 572°F)
	Stainless Steel	- 196°C to 300°C (-320°F to 572°F)
	Duplex	- 196°C to 300°C (-320°F to 572°F)
APPLICATION	Chemical, Oil & Gas Industries	Steam Injection System
	Residual Heat Removal System	Power Station, Water Pumping Stations
	Nuclear Power Plants	Natural Gas, Refineries
	Cracker Plant	Critical Equipment Discharge
	Containment Isolation	Gas Compressor Unit
	Water, Steam, Gas, Vacuum	Offshore & Onshore Production Platform, FPSO

NOZZLE CHECK VALVE (NC SERIES)



900# / 500A (20")

CONTRACTOR	POGC (Pars Oil & Gas Company)
PROJECT	SOUTH PARS GAS FIELD DEVELOPMENT PHASE 13, 15-16,22-24
END CUSTOMER	POGC (Pars Oil & Gas Company)



300# / 700A (28")



900# / 500A (20") / Cryogenic Nozzle Check Valve