

BUTTERFLY VALVES

- TRIPLE OFFSET BUTTERFLY VALVES (TRB SERIES)
- DOUBLE ECCENTRIC BUTTERFLY VALVES (HPB SERIES)
- SINGLE ECCENTRIC BUTTERFLY VALVES (SEB SERIES)
- CONCENTRIC BUTTERFLY VALVES (COB SERIES)

CONCENTRIC BUTTERFLY VALVE (RUBBER SEAT) (COB SERIES)

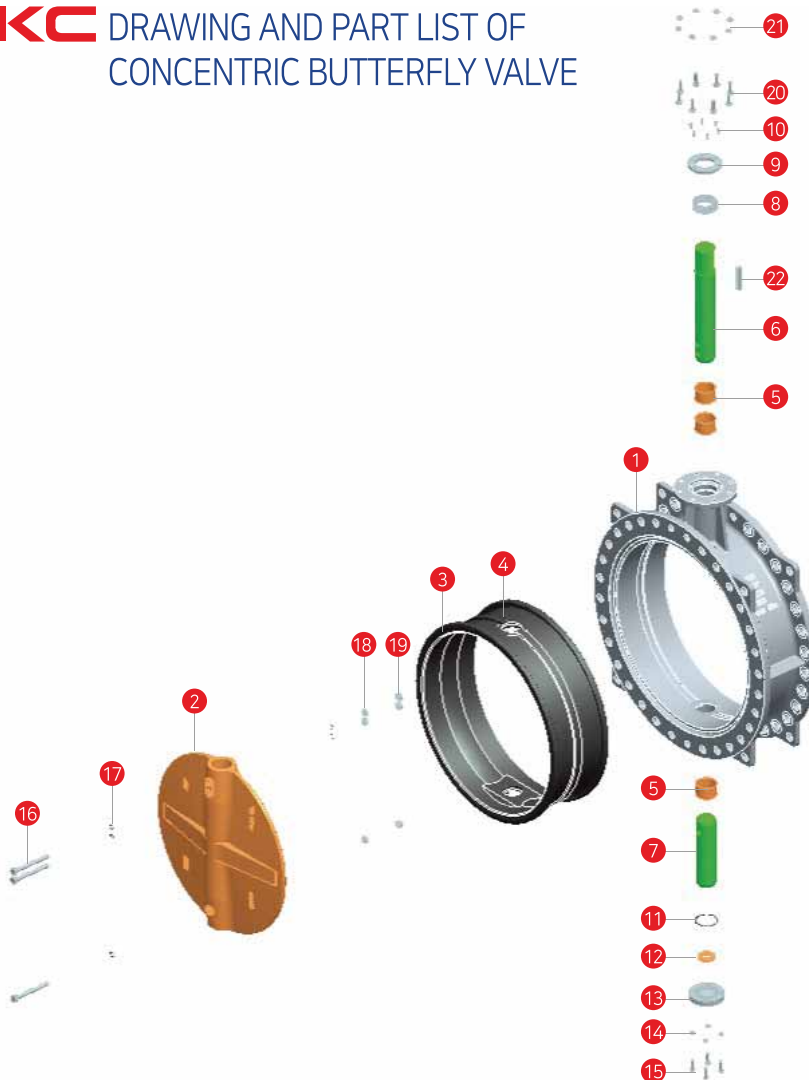


150# / 700A (28")

CONTRACTOR	DOOSAN HEAVY IND.
PROJECT	SHUWAIKH RO PJT
END CUSTOMER	MEW IN KUWAIT

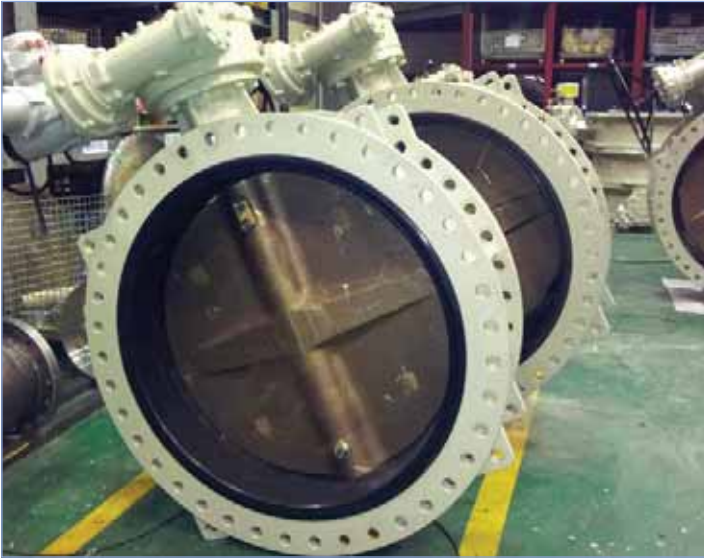
Range	Application	
Size	1-1/2"(40A) ~ 72"(1800A)	
Fluid	Water	
Rating	JIS 10K, ANSI 150#, PN10	
End Connection	Wafer, Lugged, Flanged	
Temp. Range	EPDM -20 ~ 120°C NBR -20 ~ 80°C VITON -20 ~ 165°C	
Materials	Body	Cast Iron, Ductile Iron, Cast Steel, Stainless Steel, (Ni) Al Bronze, (Super) Duplex S.S etc.
	Disc	Stainless Steel, (Ni) Al Bronze, (Super) Duplex S.S etc.
	Seat	Rubber (EPDM, NBR, VITON etc.)

DKC DRAWING AND PART LIST OF CONCENTRIC BUTTERFLY VALVE



No.	Part Name
1	BODY
2	DISC
3	SEAT
4	BACK RING
5	BUSH
6	UPPER SHAFT
7	LOWER SHAFT
8	GLAND BUSH
9	PACKING GLAND
10	GLAND BOLT
11	THRUST PLATE
12	END COVER O-RING
13	END COVER
14	SPRING WASHER
15	HEX BOLT_END COVER
16	DISC PIN
17	DISC PIN O-RING
18	DISC PIN WASHER
19	DISC PIN HEX NUT
20	BRACKET HEX BOLT
21	BRACKET HEX NUT
22	KEY

CONCENTRIC BUTTERFLY VALVE (RUBBER SEAT) (COB SERIES)



150# 1100A (44")

CONTRACTOR	DOOSAN HEAVY IND.
PROJECT	JEDDAH RO PJT
END CUSTOMER	SWCC IN SAUDI ARABIA



150# / 500A (20")

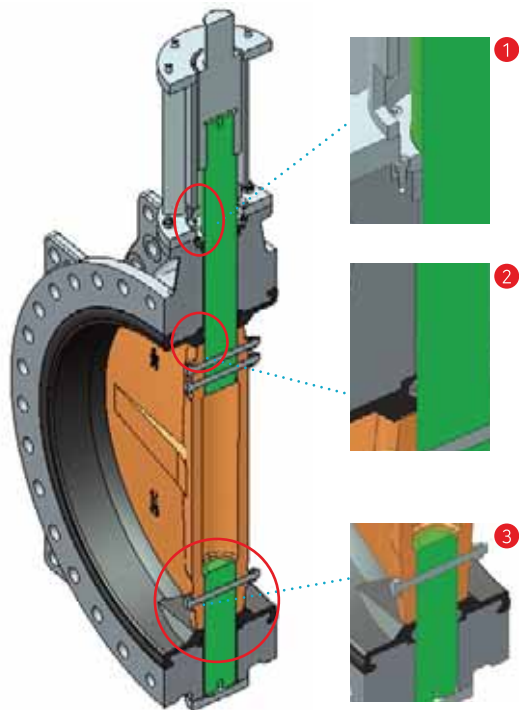
CONTRACTOR	POSCO E&C
PROJECT	CAMPICHE POWER PJT
END CUSTOMER	AES IN CHILE



150# 500A (20")

CONTRACTOR	HYUNDAI HEAVY IND.
PROJECT	PANAMA
END CUSTOMER	GUPC IN PANAMA

CONCENTRIC BUTTERFLY VALVE DESIGN (COB SERIES)

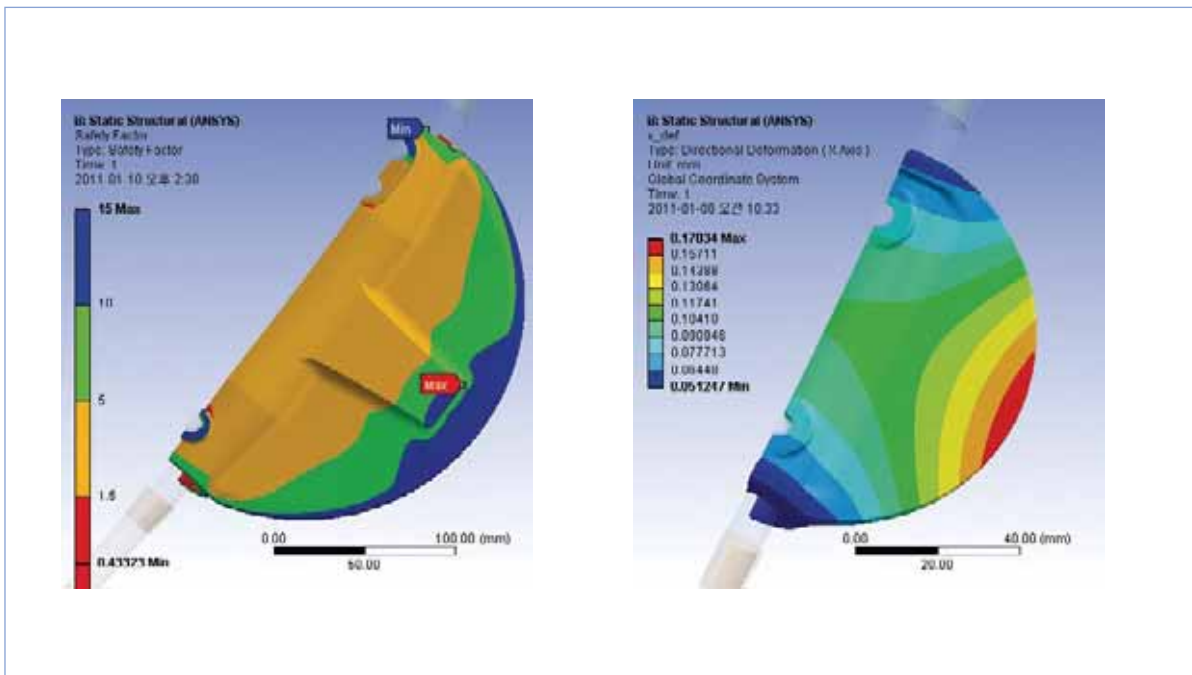


1 Different way for pressing the packing
Using packing gland as one set, it would be possible to protect from leakage.

2 Insert Ring
Reinforcing Steel Plate is set into Rubber Seat to keep Rubber Seat stable without deformation.

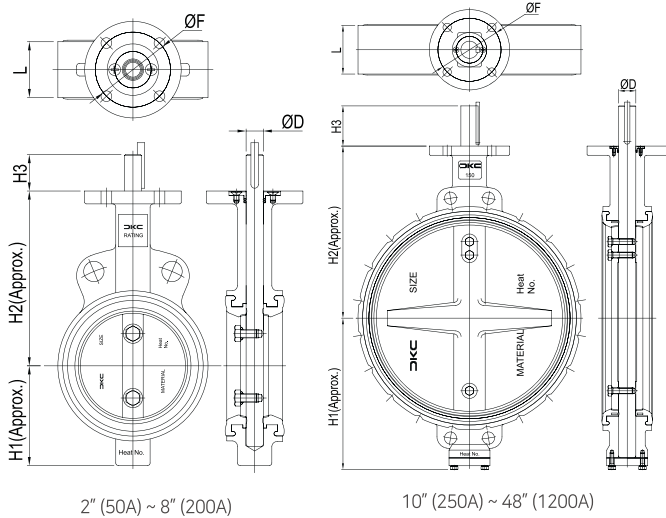
3 Pin Bolt & Nut Assembling
Pneumatic Op' Valve with bolt connection occurs to break the bolt head which is going to result in damage in the pipe line or valve.
DKC uses the Pin Bolt & Nut instead of bolt to prevent from damaging.

DKC Analysis of Safety Distribution and Deformation at Disc

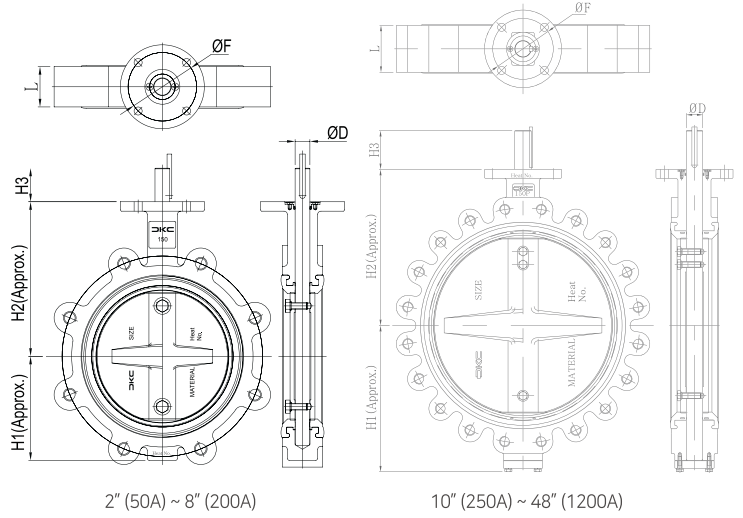


DIMENSION TABLE FOR CONCENTRIC BUTTERFLY VALVE 150LB (COB SERIES)

WAFER DESIGN



LUG DESIGN



Max. Size : 1800A (72")

Unit : mm

VALVE SIZE		L	H1	H2	H3	ØD	ØF	WEIGHT (kg)
inch	mm							
2	50	43	58	130	29	Ø14	F07	6.5
2 1/2	65	46	65	142	29	Ø14	F07	7
3	80	46	78	150	29	Ø16	F07	7.5
4	100	52	93	163	29	Ø16	F07	8.5
5	125	56	116	176	29	Ø20	F07	10.5
6	150	56	128	185	29	Ø20	F07	11.5
8	200	60	155	230	45	Ø22	F10	15.5
10	250	68	231	267	36	Ø25	F10	31
12	300	78	267	310	36	Ø28	F10	42
14	350	78	297	338	45	Ø32	F10	50
16	400	102	332	375	45	Ø35	F14	93
18	450	114	350	390	45	Ø40	F14	110
20	500	127	394	422	55	Ø45	F16	165
22	550	154	430	460	55	Ø50	F16	230
24	600	154	455	495	65	Ø55	F16	300
26	650	165	475	536	65	Ø60	F16	348
28	700	165	540	590	70	Ø70	F16	395
30	750	165	721	600	70	Ø75	F16	455
32	800	190	581	640	70	Ø80	F25	543
34	850	210	600	665	70	Ø90	F25	615
36	900	203	625	695	70	Ø90	F25	652
38	950	203	660	730	70	Ø95	F25	692
40	1000	200	704	770	75	Ø100	F30	700
42	1050	251	733	803	75	Ø100	F30	740
44	1100	240	766	840	75	Ø100.5	F30	780
46	1150	240	788	858	80	Ø110	F30	890
48	1200	276	820	885	80	Ø120	F30	1015

Max. Size : 1800A (72")

Unit : mm

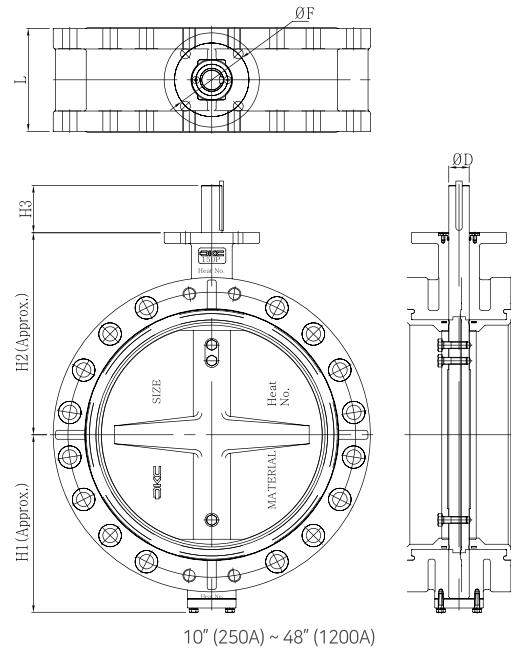
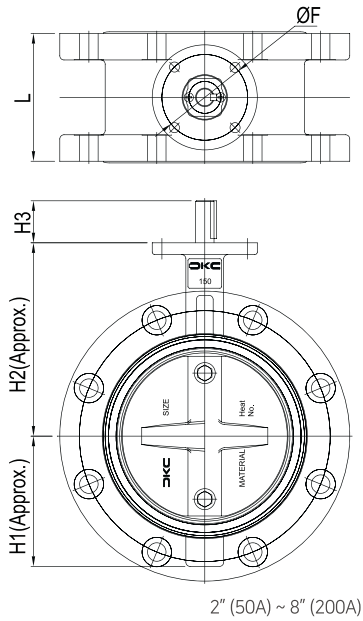
VALVE SIZE		L	H1	H2	H3	ØD	ØF	WEIGHT (kg)
inch	mm							
2	50	43	58	130	29	Ø14	F07	7.5
2 1/2	65	46	65	142	29	Ø14	F07	8.5
3	80	46	78	150	29	Ø16	F07	10
4	100	52	93	163	29	Ø16	F07	14
5	125	56	116	176	29	Ø20	F07	16
6	150	56	128	185	29	Ø20	F07	18
8	200	60	155	230	45	Ø22	F10	23
10	250	68	231	267	36	Ø25	F10	41
12	300	78	267	310	36	Ø28	F10	54
14	350	78	297	338	45	Ø32	F10	62
16	400	102	332	375	45	Ø35	F14	115
18	450	114	350	390	45	Ø40	F14	140
20	500	127	394	422	55	Ø45	F16	205
22	550	154	430	460	55	Ø50	F16	290
24	600	154	455	495	65	Ø55	F16	390
26	650	165	475	536	65	Ø60	F16	425
28	700	165	517	555	70	Ø70	F16	470
30	750	165	721	600	70	Ø75	F16	550
32	800	190	581	640	70	Ø80	F25	650
34	850	210	600	665	70	Ø90	F25	740
36	900	203	625	695	70	Ø90	F25	790
38	950	203	660	730	70	Ø95	F25	830
40	1000	200	704	770	75	Ø100	F30	900
42	1050	251	733	803	75	Ø100	F30	950
44	1100	240	766	840	75	Ø100.5	F30	1030
46	1150	240	788	858	80	Ø110	F30	1180
48	1200	276	820	885	80	Ø120	F30	1250

L : Face to Face Dimension

* Please contact sales office for other sizes.

DIMENSION TABLE FOR CONCENTRIC BUTTERFLY VALVE 150LB (COB SERIES)

FLANGE DESIGN



Max. Size : 1800A (72")

Unit : mm

VALVE SIZE		L	H1	H2	H3	ØD	ØF	WEIGHT (kg)
inch	mm							
2	50	108	58	130	29	Ø14	F07	13
2 1/2	65	112	65	142	29	Ø14	F07	15
3	80	114	78	150	29	Ø16	F07	17
4	100	127	93	163	29	Ø16	F07	20
5	125	140	116	176	29	Ø20	F07	23
6	150	140	128	185	29	Ø20	F07	27
8	200	152	155	230	45	Ø22	F10	31
10	250	165	231	267	36	Ø25	F10	50
12	300	178	267	310	36	Ø28	F10	68
14	350	190	297	338	45	Ø32	F10	85
16	400	216	332	375	45	Ø35	F14	135
18	450	222	350	390	45	Ø40	F14	159
20	500	229	394	422	55	Ø45	F16	240
22	550	229	415	463	55	Ø50	F16	320
24	600	267	455	496	65	Ø55	F16	410
26	650	292	475	523	65	Ø60	F16	440
28	700	292	503	550	70	Ø70	F16	490
30	750	318	540	590	70	Ø75	F16	590
32	800	318	581	640	70	Ø80	F25	695
34	850	330	600	665	70	Ø90	F25	790
36	900	330	625	695	70	Ø90	F25	840
38	950	410	660	730	70	Ø95	F25	890
40	1000	410	704	770	75	Ø100	F30	1050
42	1050	410	733	803	75	Ø100	F30	1260
44	1100	410	766	840	75	Ø100,5	F30	1512
46	1150	470	788	858	80	Ø110	F30	1815
48	1200	470	820	885	80	Ø120	F30	2178

L : Face to Face Dimension

* Please contact sales office for other sizes.