

# BUTTERFLY VALVES

- TRIPLE OFFSET BUTTERFLY VALVES (TRB SERIES)
- DOUBLE ECCENTRIC BUTTERFLY VALVES (HPB SERIES)
- SINGLE ECCENTRIC BUTTERFLY VALVES (SEB SERIES)
- CONCENTRIC BUTTERFLY VALVES (COB SERIES)

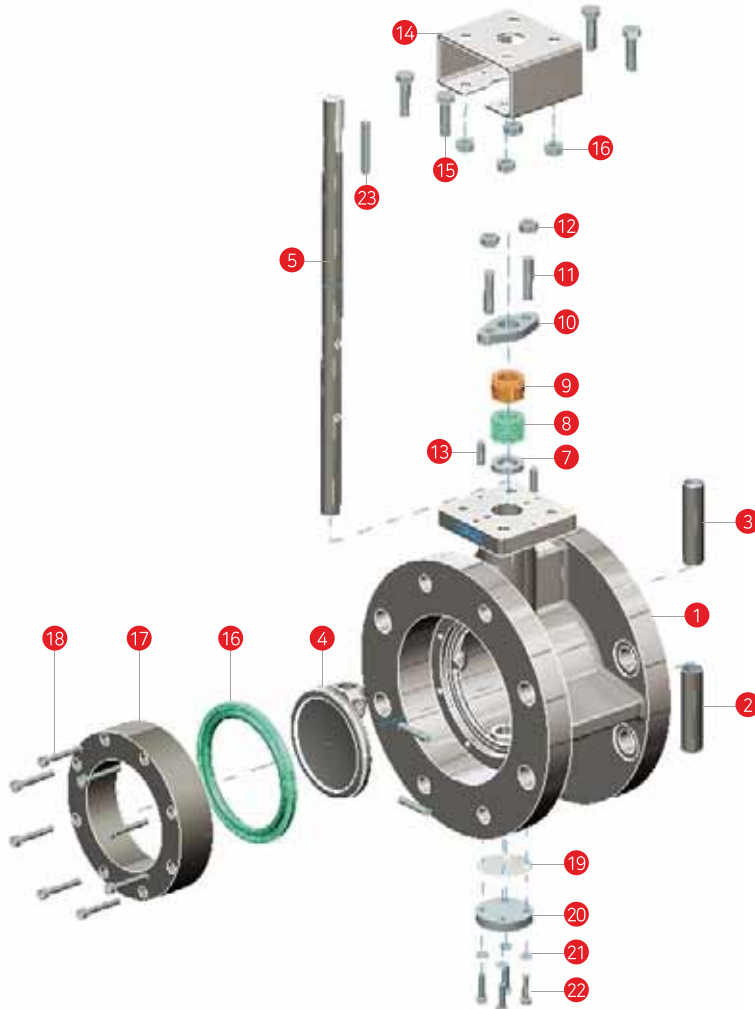
## ECCENTRIC BUTTERFLY VALVE (HIGH-PERFORMANCE TYPE) (HPB SERIES)



Range	Application	
Size	2"(50A) ~ 80"(2000A)	
Fluid	Water, Air, Steam, Gas	
Rating	JIS 10K, 20K, PN10, 16, 25 ANSI 150#, 300#	
End Connection	Wafer, Lugged, Flanged	
Temp. Range	-40 ~ 230 °C	
Materials	Body	Ductile Iron, Cast Steel, Stainless Steel, (Ni) Al Bronze, (Super) Duplex S.S etc.
	Disc	Cast Steel, Stainless Steel, (Ni) Al Bronze, (Super) Duplex S.S etc.
	Seat	PTFE, RTFE (with Metal for Fire Safety)

CONTRACTOR	DOOSAN HEAVY IND.
PROJECT	SHUWEIHAT S2 PJT
END CUSTOMER	ADWEA IN UAE

### DKC DRAWING AND PART LIST OF ECCENTRIC BUTTERFLY VALVE



No.	Part Name
1	BODY
2	LOWER BUSH
3	UPPER BUSH
4	DISC
5	SHAFT
6	DISC PIN
7	PACKING RETAINER
8	PACKING
9	GLAND BUSH
10	GLAND FLANGE
11	GLAND BOLT
12	GLAND NUT
13	BRACKET LOCK PIN
14	BRACKET
15	BRACKET BOLT
16	SEAT
17	RETAINER
18	RETAINER BOLT
19	GASKET_END COVER
20	END COVER
21	WASHER_END COVER
22	COVER BOLT
23	KEY

# ECCENTRIC BUTTERFLY VALVE (HIGH-PERFORMANCE TYPE) (HPB SERIES)



1800A (72")

CONTRACTOR	DOOSAN HEAVY IND.
PROJECT	SHUWEIHAT S2 PJT
END CUSTOMER	ADWEA IN UAE



150# / 150A (6")

CONTRACTOR	HYUNDAI HEAVY IND.
PROJECT	SHWE PJT
END CUSTOMER	HYUNDAI HEAVY IND. IN MYANMAR



150# 500A (20")

CONTRACTOR	SK
PROJECT	GAS LINE (METAL SEAT)
END CUSTOMER	SK IN KOREA (ULSAN FACTORY)



150# / 450A (18")

CONTRACTOR	DOOSAN HEAVY IND.
PROJECT	YECHEON WATER PUMPING #1,2 PJT
END CUSTOMER	KOREA HYDRO & NUCLEAR POWER CO. LTD.,

DKC CO., LTD.

BUTTERFLY VALVES

CHECK VALVE

NON RETURN VALVE

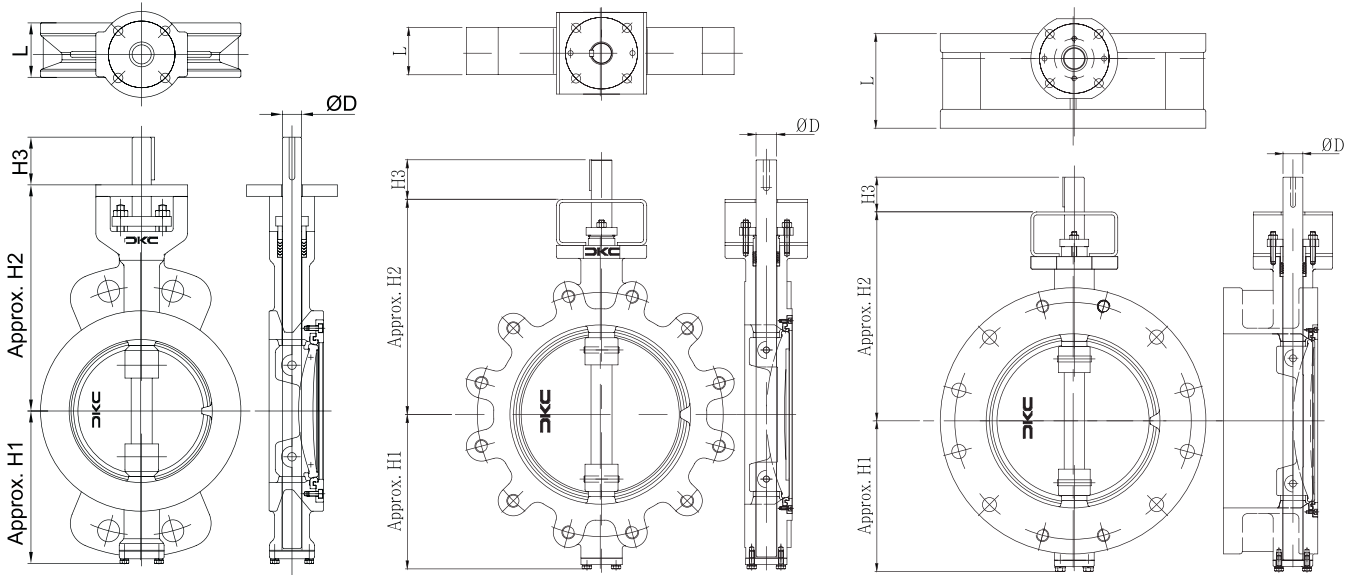
SPECIAL VALVE

# DIMENSION TABLE FOR ECCENTRIC BUTTERFLY VALVE 150LB (HPB SERIES)

□ Wafer

□ Lugged

□ Flanged



Max. Size : 2000A (80")

Unit : mm

VALVE SIZE		H1	H2	H3	L			ØD	TOP	WEIGHT (kg)		
mm	inch	APPROX.	APPROX.	APPROX.	WAFER	LUGGED	FLANGE		FLANGE	WAFER	LUGGED	FLANGE
50	2	66	155	50	43	43	108	14	F07	4	5	9
65	2 1/2	75	167	50	46	46	112	14	F07	5	7	12
80	3	85	177	50	48	48	114	16	F07	5.5	8	14
100	4	95	193	50	54	54	127	16	F07	6	10	17
125	5	110	218	50	57	57	140	20	F07	10	14	23
150	6	126	237	75	57	57	140	20	F07	13	18	29
200	8	197	295	75	64	64	152	25	F10	19	24	40
250	10	237	337	75	71	71	165	28	F10	33	42	58
300	12	264	360	75	81	81	178	32	F10	42	56	74
350	14	305	430	75	92	92	190	40	F14	61	90	98
400	16	346	460	75	102	102	216	45	F14	90	125	145
450	18	372	505	80	114	114	222	50	F14	144	180	205
500	20	415	565	90	127	127	229	55	F16	160	226	280
600	24	471	635	100	154	154	267	65	F20	284	310	430
700	28	554	750	120	165	165	292	75	F20	385	440	560
800	32	614	795	120	190	190	318	90	F25	605	690	880
900	36	670	840	130	203	203	330	95	F30	860	1100	1250
1000	40	735	960	130	216	216	410	105	F30	1180	1450	1600
1100	44	766	1050	150	240	240	410	120	F35	1460	1690	1970
1200	48	798	1120	150	254	254	470	135	F35	1800	2100	2450

L : Face to Face Dimension

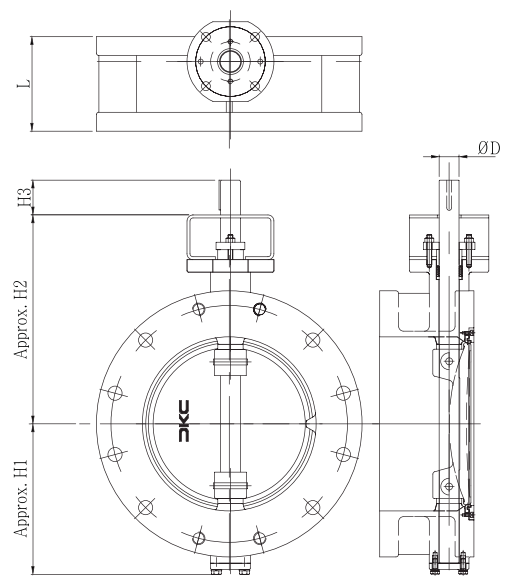
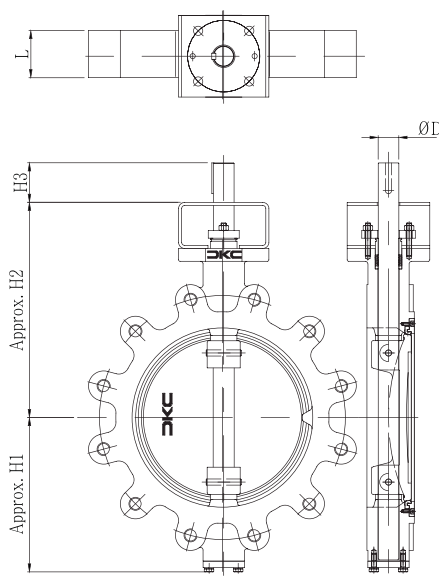
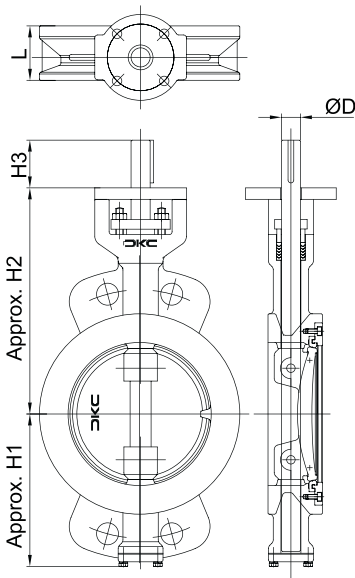
\* Please contact the sales office for other sizes.

# DIMENSION TABLE FOR DOUBLE ECCENTRIC BUTTERFLY VALVE 300LB (HPB SERIES)

Wafer

Lugged

Flanged



Max. Size : 2000A (80")

Unit : mm

VALVE SIZE		H1	H2	H3	L			ØD	TOP	WEIGHT (kg)		
mm	inch	APPROX.	APPROX.	APPROX.	WAFER	LUGGED	FLANGE		FLANGE	WAFER	LUGGED	FLANGE
80	3	87	202	65	48	48	114	18	F07	7	11	16
100	4	150	215	65	54	54	127	20	F07	9	14	20
125	5	158	242	65	57	57	140	25	F07	14	21	27
150	6	172	245	65	59	59	140	25	F07	18	26	34
200	8	202	335	75	73	73	152	30	F10	25	36	45
250	10	230	385	75	83	83	165	40	F10	42	61	65
300	12	304	425	75	92	92	178	45	F10	53	78	83
350	14	310	502	85	117	117	190	50	F14	77	100	115
400	16	340	510	85	133	133	216	55	F14	112	145	165
450	18	404	560	85	149	149	222	65	F14	160	190	230
500	20	441	605	100	159	159	229	75	F16	185	210	320
600	24	515	640	120	181	181	267	75	F20	290	330	480
700	28	560	670	125	-	-	292	90	F20	-	-	630
800	32	645	740	125	-	-	318	90	F25	-	-	980
900	36	710	508	150	-	-	330	95	F30	-	-	1400
1000	40	770	870	150	-	-	410	105	F30	-	-	1800
1100	44	835	930	150	-	-	410	120	F35	-	-	2200
1200	48	895	995	150	-	-	470	135	F35	-	-	2750

L : Face to Face Dimension  
\* Please contact sales office for other sizes.