

NON RETURN VALVES

NON RETURN VALVE (COMBINED NON-RETURN VALVE) (CNR SERIES)

NON RETURN VALVE (COMBINED NON-RETURN VALVE) (CNR SERIES)

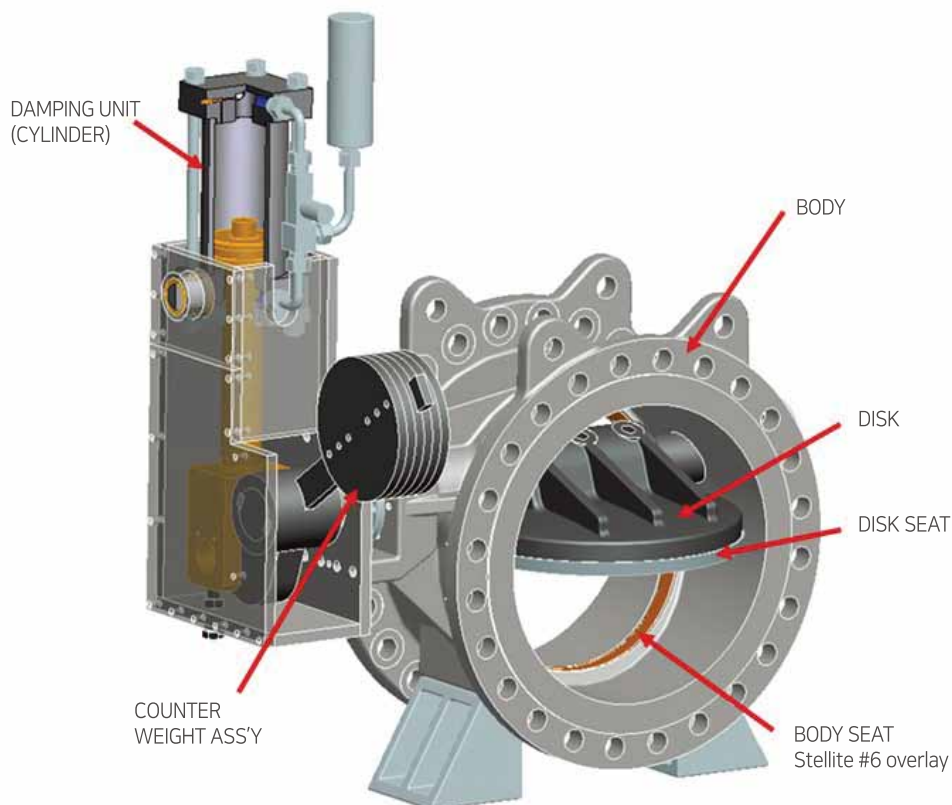


Non Slam Check Valve JIS 20K - 750A

Range	Application	
Size	8"(200A) ~ 120"(3000A)	
Fluid	Water, Air, Steam, Gas, Sea Water	
Rating	JIS 10K, 20K, ANSI 150#, 300# PN10, 16, 20 AWWA C 504, KS B 2333	
End Connection	Flanged	
Temp. Range	-50 ~ 600 °C	
Materials	Body	A216-WCB, A536 Gr. A351-CF8, A351-CF8M A351-CF3, A351-CF3M B148 C95800 etc.
	Disc	A216-WCB, A536 Gr. A351-CF8, A351-CF8M A351-CF3, A351-CF3M B148 C95800 etc.
	Seat	Rubber (EPDM, BUNA-N etc) Stellite Welding A240-304, A240-316 etc. Rubber Lining

CONTRACTOR	POSCO E&C
PROJECT	POHANG 4 FURNACE FACTORY PJT
END CUSTOMER	POSCO IN KOREA

DKC UNIQUE DUAL PLATE CHECK DESIGN



NON RETURN VALVE (COMBINED NON-RETURN VALVE) (CNR SERIES)

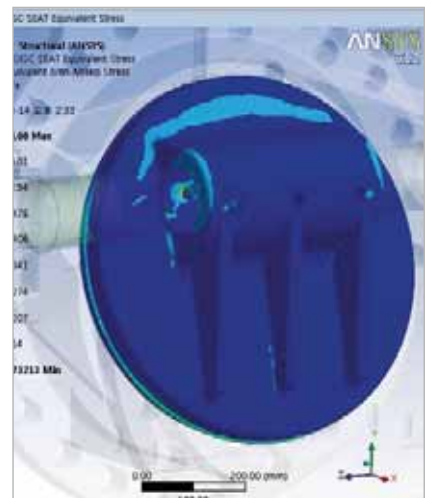
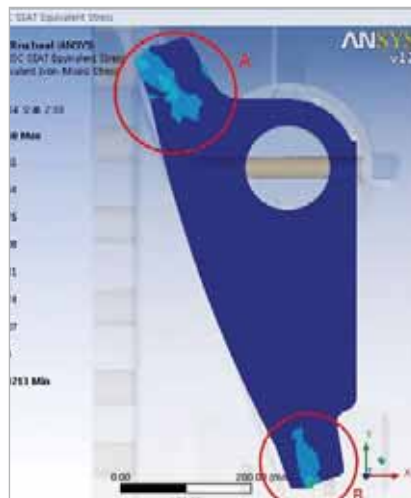


Combined NRV AWWA #150 - 72"

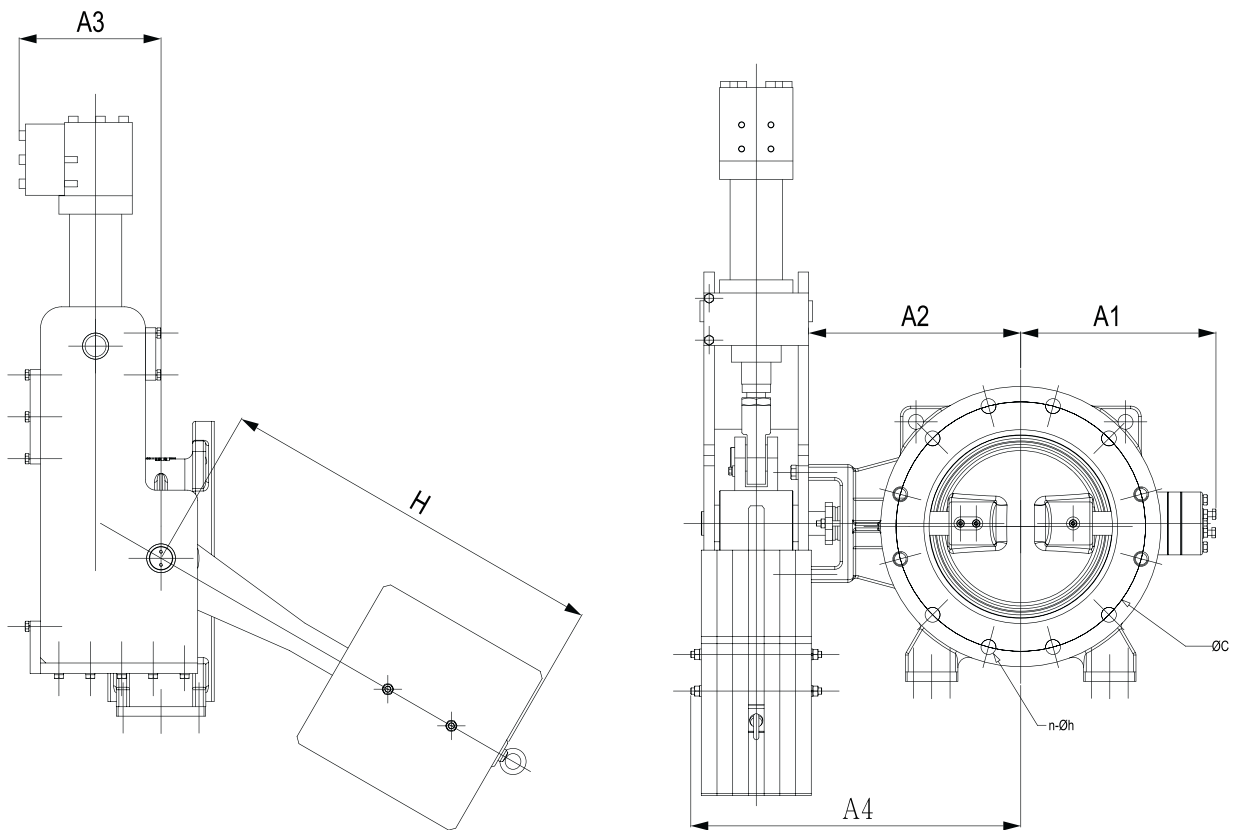
Range	Application	
Size	8" (200A) ~ 120"(300A)	
Fluid	WATER, AIR, STEAM, GAS	
Rating	JIS 10K, PN10, ANSI 150# AWWA C207	
End Connection	Wafer, Lugged, Flanged	
Temp. Range	20 ~ 165°C	
Materials	Body	Cast Iron, Ductile Iron, Cast Steel, Stainless Steel, (Ni) Al Bronze, (Super) Duplex S.S etc. (Rubber Lining)
	Disc	Cast Iron, Ductile Iron, Cast Steel, Stainless Steel, (Ni) Al Bronze, (Super) Duplex S.S etc. (Rubber Lining)
	Seat	Rubber (EPDM, NBR, SILICON etc.)

CONTRACTOR	HYUNDAI E&C
PROJECT	ASHUGANJ 225MW COMBINED CYCLE POWER PLANT PROJECT IN BANGLADESH
END CUSTOMER	ASHUGANJ POWER STATION COMPANY LTD. (APSC)

DKC ANALYSIS OF SAFETY DISTRIBUTION AND DEFORMATION AT DISC



COMBINED NON-RETURN VALVE (CNR SERIES)

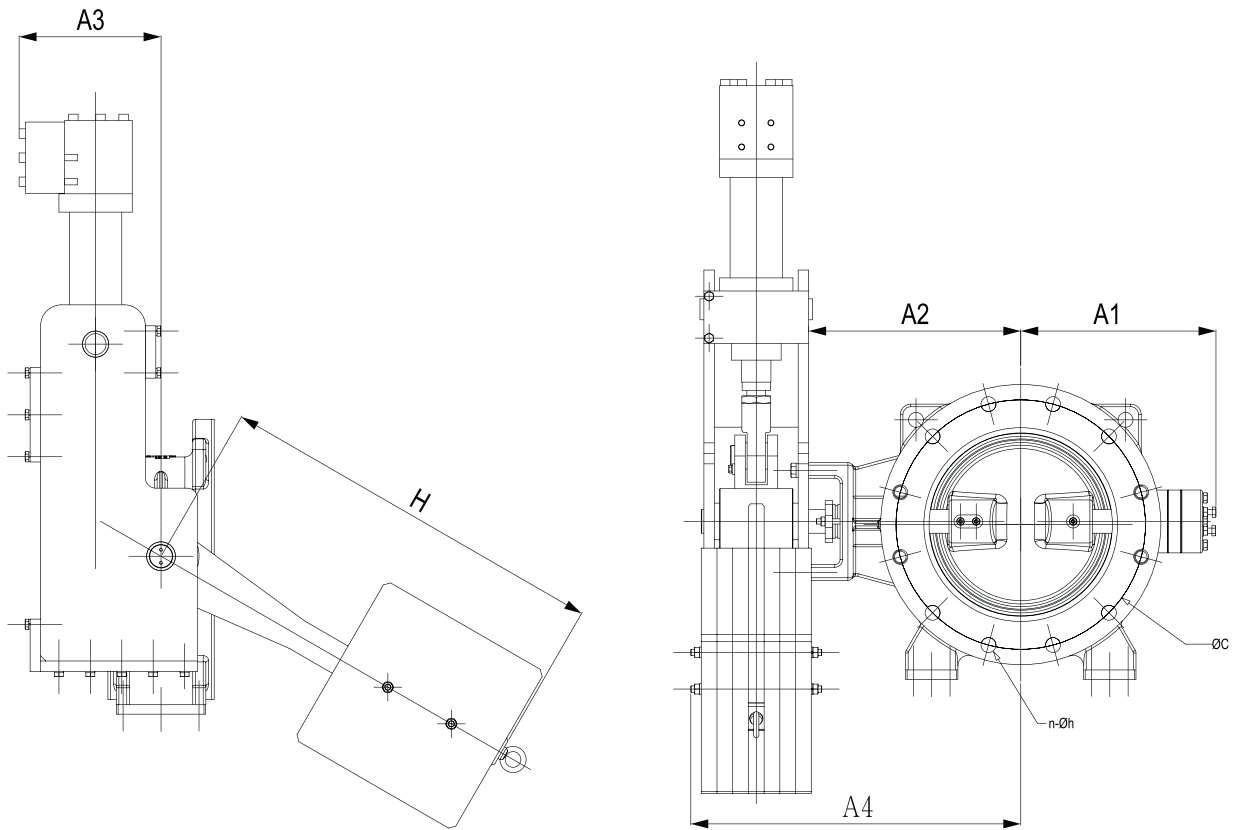


Ød	L	FLANGE					A1	A2	A3 (Ref.)	A4 (Ref.)	H (Ref.)
		ØD	ØG	BOLT HOLE		T×f					
				ØC	n-Øh						
400	216	565	477	515	16-28	34×4	480	470	600	660	780
450	222	615	527	565	20-28	35×4	520	490	600	680	820
500	229	670	582	620	20-28	36×4	550	520	600	710	880
600	267	780	682	725	20-31	40×4	620	560	820	815	950
700	292	895	797	840	24-31	46×4	700	645	820	900	1050
800	318	1015	904	950	24-34	49×5	760	690	820	940	1200
900	330	1115	1004	1050	28-34	51×5	820	750	1200	1000	1300
1000	410	1230	1111	1160	28-37	55×5	900	920	1200	1240	1500
1100	450	1366	1200	1270	32-37	61×5	970	1000	1200	1320	1600
1200	470	1470	1304	1387	32-37	63×5	1050	1100	1200	1480	1700
1350	530	1642	1462	1552	36-38	68×6	1170	1200	1200	1580	1800
1500	530	1800	1620	1710	36-38	74×6	1270	1300	1300	1700	2000
1650	530	1950	1770	1680	40-48	48×5	1350	1400	1300	1800	2200
1800	55	2115	1960	2020	44-48	50×5	1450	1450	1300	1850	2400
2000	550	2325	2170	2230	48-48	54×5	1550	1550	1500	1950	2600
2200	550	2250	2370	2440	52-56	58×6	1680	1700	1500	2100	2900
2400	580	2760	2570	2650	56-56	62×6	1840	1800	1500	2200	3200
2500	580	2860	2670	2750	56-56	64×6	1900	1850	1500	2250	3300
2600	580	2960	2780	2850	60-56	66×6	2000	1900	1650	2500	3400
2800	600	3180	3000	3070	64-56	70×6	2100	2000	1650	2600	3600
3000	600	3405	3210	3290	68-62	75×6	2150	2100	1650	2650	3800

NOTE

- ※1. Flange rating is KS B 2332 standard, but other standards are available on request.
- ※2. Lay-length of valve is KS B 2332 standard, but other standards are available on request.

NON-SLAM CHECK VALVE (CNR SERIES)



Ød	L	FLANGE					A1	A2	A3	A4	H)	Weight (kg)
		ØD	ØG	BOLT HOLE		T×f						
				ØC	n-Øh							
400	310	560	475	510	16-27	28×3	470	400	230	440	550	400
450	330	620	530	565	20-27	30×3	500	430	300	450	565	450
500	350	675	585	620	20-27	30×3	570	470	300	460	625	500
600	390	795	690	730	24-33	32×3	700	540	470	750	825	700
700	430	905	800	840	24-33	34×3	760	600	470	950	895	900
800	470	1020	905	950	28-33	36×3	865	660	510	980	1015	1200
900	510	1120	1005	1050	28-33	38×3	930	725	510	1020	1095	1400
1000	550	1235	1110	1160	28-39	40×3	1050	800	520	1080	1175	1500
1100	590	1345	1220	1270	28-39	42×3	1150	870	520	1150	1200	2100
1200	630	1465	1325	1380	32-39	44×3	1200	930	530	1200	1260	2500
1350	670	1630	1480	1540	36-45	48×3	1250	1020	530	1300	1380	3400
1500	750	1795	1635	1700	40-45	50×3	1550	1115	530	1400	1470	4500

NOTE

※1. Flange rating is KS B 1511-10K standard, but other standards are available on request.

※2. Lay-length of valve is the dimension of Maker's standard, but other standards are available on request.